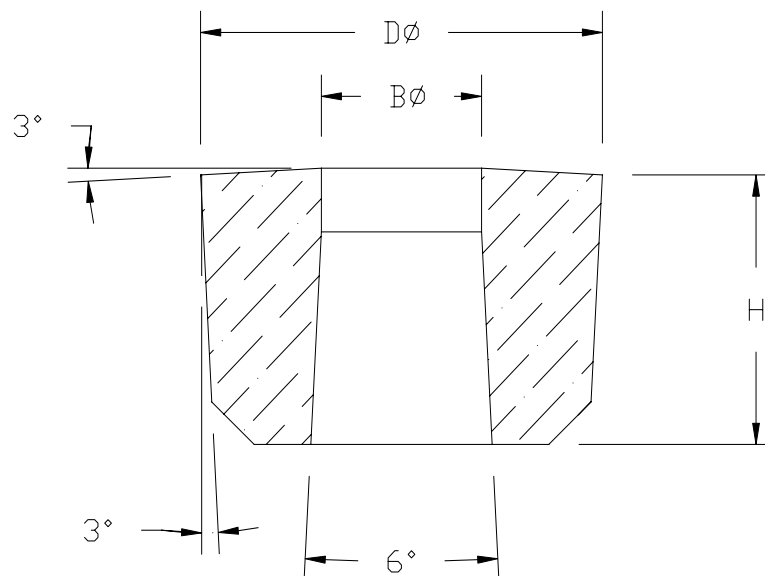


SHAVING DIES

Our Shaving Dies are manufactured within the ISO 9001: 2000 quality system and conform to the various International Standards.



Our Shaving dies are made to suit our customers individual requirements. The sketch above illustrates a typical example.

The grade of tungsten carbide is carefully selected to match the type of application.

Please contact our technical help desk for further information on this product