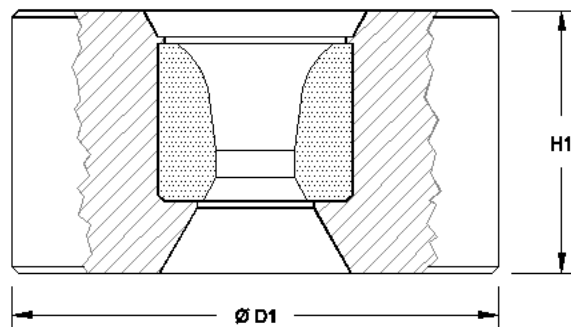
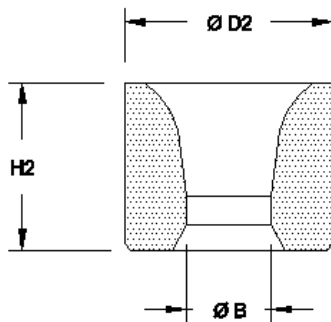




WIRE DRAWING DIES

Our Wire Drawing Dies are manufactured within the ISO 9001: 2000 quality system and conform to the various International Standards.



TC Nib	Case	B		TC
		Min	Max	
D2 - H2	D1 - H1			Std Grades
10 x 8	28 x 15	0.10	2.00	H3F
12 x 10	28 x 20	0.30	2.00	H6F
16 x 13	43 x 28	0.30	5.00	H6F
20 x 17	43 x 31	0.75	6.50	H6N
25 x 20	53 x 41	2.50	10.00	H10N
30 x 24	53 x 41	6.00	12.50	H10N

For bore sizes in excess of the above please consult the [BAR DRAWING DIE](#) section

Please note !

- The above list of case sizes are standards, we can accommodate any size to suit your needs.
- Larger and smaller nibs sizes are available, along with other grades of TC.



INVESTOR IN PEOPLE